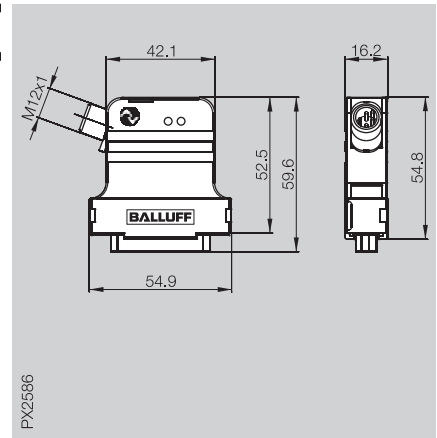


Using proven IO-Link manner the valve connectors **BNI IOL-750** and **-751** make connecting decentralized valve terminals to the control level incredibly easy.

Additional benefits to you:

- **Compact adapter housing**
Direct plugging into the valve terminal using minimal space
- **Flexibility**
Compatible with pin configurations of many valve terminals
- **Optimized cabling**
Connects to the control level using standard 3-conductor sensor cable
- **Modularity**
Control up to 16 solenoids (larger expansion level in development)

Series	Valve Connector BNI IOL-75_
Output signal	IO-Link



Ordering code	BNI IOL-75_-000-K007*
---------------	------------------------------

Operating temperature	-5...+55 °C
Storage temperature	-25...+85 °C
Housing material	Plastic
Dimensions	60x53.5x17 mm
Enclosure rating	IP 20
Approvals	UL, CSA
Error indicator	LED red
Communication indicator	LED green
Short circuit monitoring for each output	Yes
Supply voltage	18...30.2 V DC
IO-Link port pin assignments (M12, A-coded, male)	Pin 1: Supply voltage +24 V Pin 2: - Pin 3: GND, reference potential Pin 4: Q/C, IO-Link data transmission channel Pin 5: Function ground
Signal assignments D-SUB 25-pin	compliant with the various pin configurations of leading manufacturers of valve terminals

IO-Link	
Mode	COM 2
Baud rate	38.4 Kbaud

*Detailed ordering code on request!

