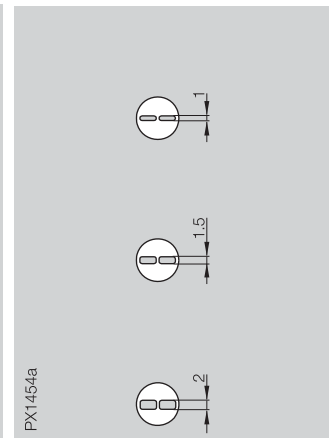
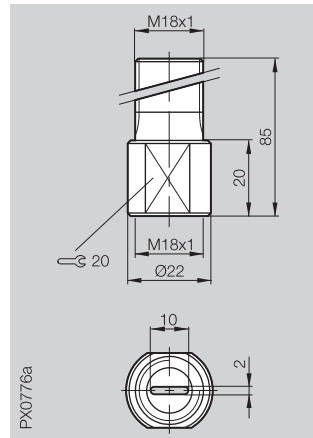
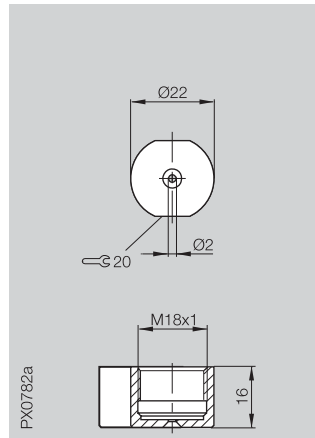


	Round aperture for BLE/BLS 18	Double slit aperture for BLE/BLS 18	Slit aperture for BLE/BLS 12M
--	---	---	---



Ordering code	BOS 18-BL-1	BOS 18-BL-2	BOS 12-BL-1
---------------	-------------	-------------	-------------

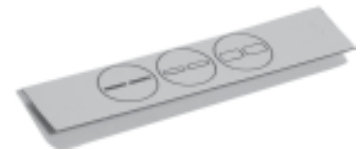
The round and slit apertures restrict the beam diameter. This allows you to detect small parts over a large range. The emitter and receiver must be exactly aligned with each other.

- Advantages:
- Small parts detection, i.e. 1 mm drill, aperture on emitter only
 - Through-beams may be mounted close to one another
 - Highly reflective parts directly next to the light path do not interfere

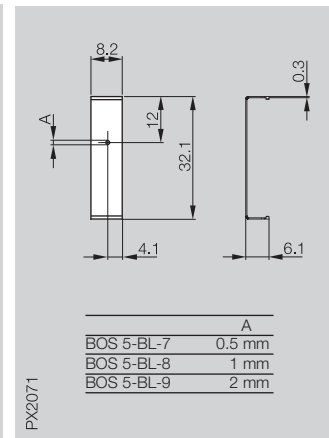
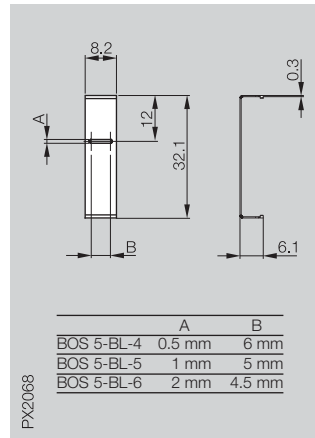
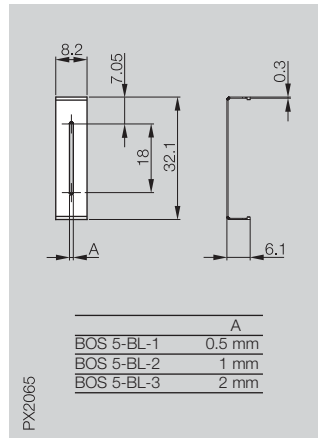
Slit width in mm	Range in m	Object size in mm
1	0.5	> 1
1.5	1	> 1.5
2	2	> 2

Aperture on emitter	Aperture on receiver	Range in m
○	○	∞
○	○	∞
○	○	2

Aperture position emitter	Aperture position receiver	Range in m
		3
		2
		2



	Slit aperture vertical for through-beams BOS 5K	Slit aperture horizontal for through-beams BOS 5K	Round aperture for through-beams BOS 5K
--	--	--	--



Ordering code	BOS 5-BL-1	BOS 5-BL-4	BOS 5-BL-7
	BOS 5-BL-2	BOS 5-BL-5	BOS 5-BL-8
	BOS 5-BL-3	BOS 5-BL-6	BOS 5-BL-9

