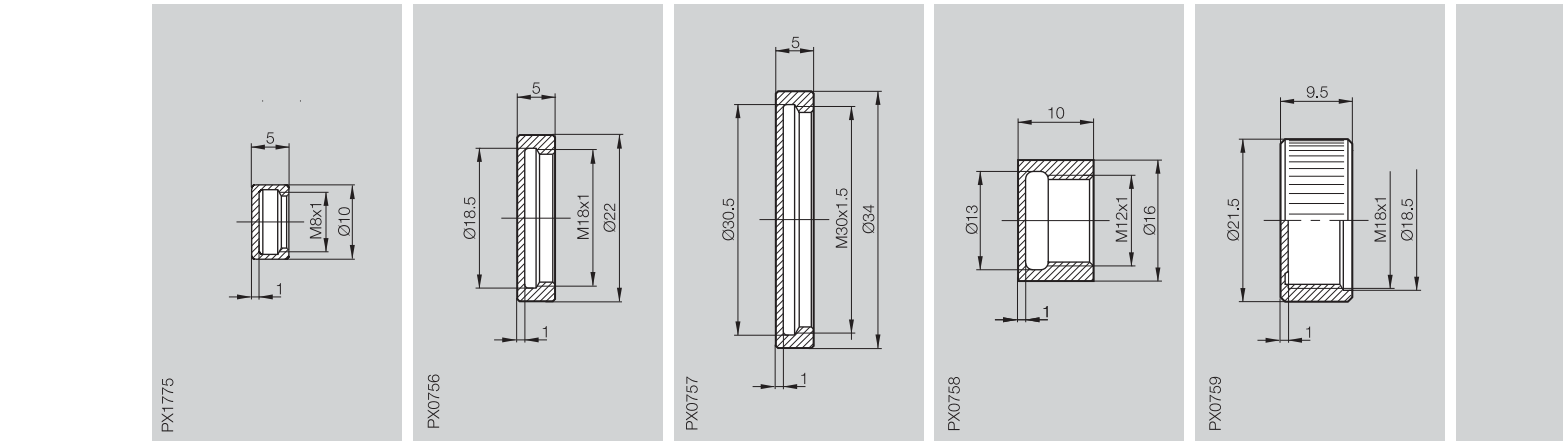


Description	Cover nut	Cover nut	Cover nut	Cover nut	Cover nut
-------------	-----------	-----------	-----------	-----------	-----------



Ordering code	BES 18-SM-1	BES 30-SM-1	BES 30-SM-1	BES 12-SM-2	BES 18-SM-2
---------------	-------------	-------------	-------------	-------------	-------------

<p>This cover nut is threaded on to a M18x1 housing. It is made of PTFE and protects the active surface from weld splatter. It is also applicable in high temperatures and especially resistant to chemical influences.</p>	<p>This cover nut is threaded on to a M30x1.5 housing. It is made of PTFE and protects the active surface from weld splatter. It is also applicable in high temperatures and especially resistant to chemical influences.</p>	<p>This cover nut is threaded on to a M12x1 housing. It is made of POM and can be used for high mechanical stress applications.</p>	<p>This cover nut is threaded on to a M12x1 housing. It is made of POM and can be used for high mechanical stress applications.</p>	<p>This cover nut is threaded on to a M18x1 housing. It is made of POM and can be used for high mechanical stress applications.</p>
---	---	---	---	---

<p>Please note! The nominal switching distance of proximity switches is reduced by 1 mm when the cover nut is installed.</p>	<p>Please note! The nominal switching distance of proximity switches is reduced by 1 mm when the cover nut is installed.</p>	<p>Please note! The nominal switching distance of proximity switches is reduced by 1 mm when the cover nut is installed.</p>	<p>Please note! The nominal switching distance of proximity switches is reduced by 1 mm when the cover nut is installed.</p>	<p>Please note! The nominal switching distance of proximity switches is reduced by 1 mm when the cover nut is installed.</p>
--	--	--	--	--

