

Digital Display for analog input signals

The model BDD-UM 3023 digital display is a universal device for acquiring the following analog measurement values.

- Voltage 0...10 V
- Current 0...20 mA/4...20 mA

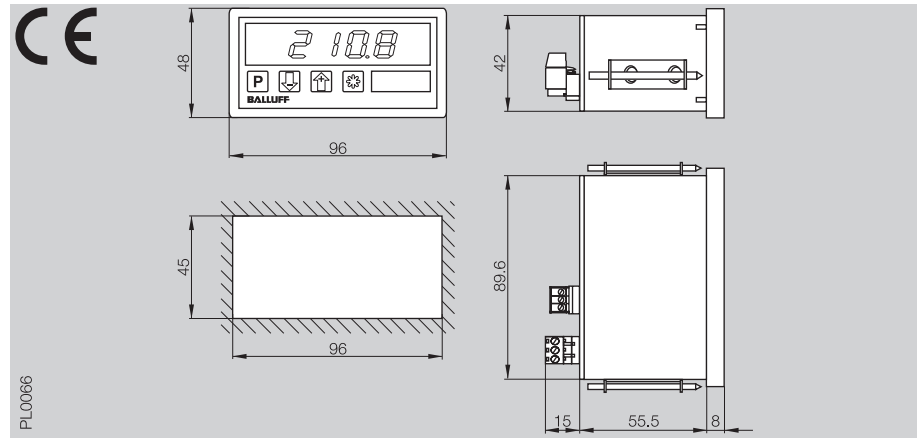
Standard hardware

- 4 function keys on the front panel

Standard software functions

- Scaling
- Tare
- Decimal point
- Display test

Description	Digital display
Application	for analog input signals e.g. BOD



Ordering code	BDD-UM 3023
---------------	--------------------

A/D converter	Resolution	12 bits
Measuring ranges	Voltage	0...10 V, $\pm 0.05\%$, ± 1 digit
	Input impedance	$\geq 50\text{ k}\Omega$
	Current	0/4...20 mA, $\pm 0.05\%$, ± 1 digit
Measuring ranges	Input impedance	10 Ω
	Sampling rate	5 measurements/s
Display	Display	4-digit, 14 mm, red
		Programmable decimal point
		Leading zero suppression
		Minus sign for negative values
Operation, keypad		Front keypad with short-stroke keys
Rated operating voltage		24 V, $\pm 20\%$ DC (isolated)
Current draw		max. 65 mA
Housing	Dimensions	96x48x60 mm
	Installation depth	≤ 72 mm (incl. screw terminal)
	Housing front enclosure rating	IP 54
	Terminals enclosure rating	IP 20
Ambient temperature range		0...+60 °C
Storage temperature		-20...+70 °C
Relative humidity		$\leq 80\%$, non-condensing
Contamination class		2
Insulation class		□
Weight		approx. 200 g

