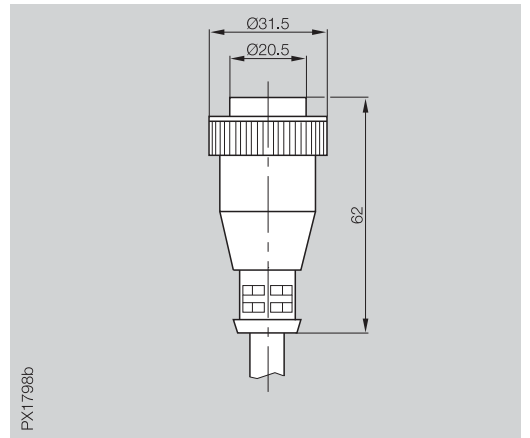
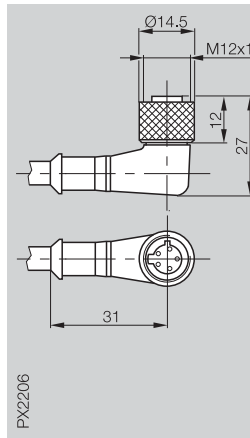
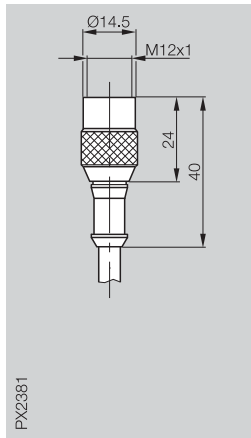


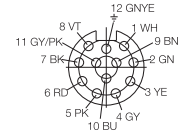
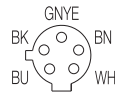
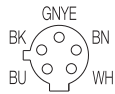
Connector	BKS-S 80	BKS-S 80	BKS-S 90
Version	Straight female	Right angle female	Straight female
Use	BNS ...-S80	BNS ...-S80	BNS ...-S90



12-pin			BKS-S 90-G-PU-__
5-pin	BKS-S 80-G-PU-05	BKS-S 80-W-PU-05	
4-pin			
3-pin			

Supply voltage U _B	300 V AC/10...60 V DC	300 V AC/10...60 V DC	300 V AC/DC (max. 2 A)
Cable	5 m molded-on PUR	5 m molded-on PUR	6 m/15 m molded-on PUR
No. of wires × cross-section	5×0.5 mm ²	5×0.5 mm ²	12×0.5 mm ²
Degree of protection per IEC 60529	IP 67	IP 68 per BWN Pr. 20	IP 67
Ambient temperature range T _a	-25...+90 °C	-25...+90 °C	-25...+90 °C

View of female side



Please include cable length in ordering code!
6 m = 06/15 m = 15

Note!

Standard configuration is normally open.
Other pin assignments on request.

If there are multiple switch positions, multiple connectors or larger connectors with a larger number of pins are used.



M12 Connectors

DC connectors

BKS-B 19 Straight female BNS ...-S4_-I (IO-Link)	BKS-S 19 Straight female BNS ...-S4_-I (IO-Link)	BKS-B 20 Right angle female BNS ...-S4_-I (IO-Link)	BKS-S 20 Right angle female BNS ...-S4_-I (IO-Link)	
<p>PX1927</p>	<p>PX0037</p>	<p>PX1416</p>	<p>PX0095</p>	
BKS-B 19-3-05 BKS-B 19-1-03	BKS-S 19-3-PU-03 BKS-S 19-1-PU-03	BKS-B 20-1-03	BKS-S 20-3-PU-03 BKS-S 20-1-PU-03	
10...30 V DC 3 m/5 m molded-on PVC 3x0.34 mm ² /4x0.34 mm ² IP 67 -25...+85 °C	10...30 V DC 3 m molded PUR 3x0.34 mm ² /4x0.34 mm ² IP 68 per BWN Pr. 20 -25...+70 °C	10...30 V DC 3 m molded PVC 3x0.34 mm ² IP 67 -25...+85 °C	10...30 V DC 3 m molded PUR 3x0.34 mm ² /4x0.34 mm ² IP 68 per BWN Pr. 20 -25...+70 °C	



Other cable lengths on request.

5.3