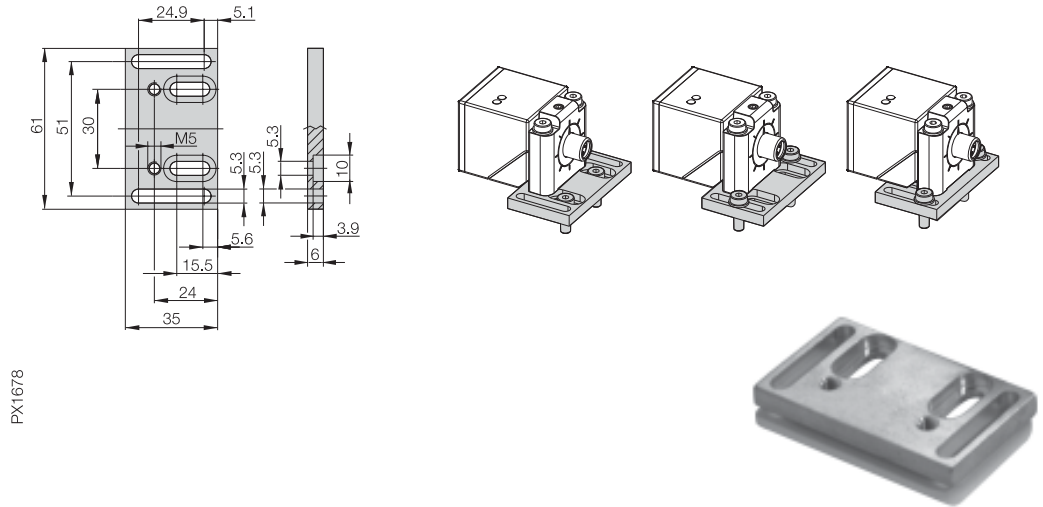
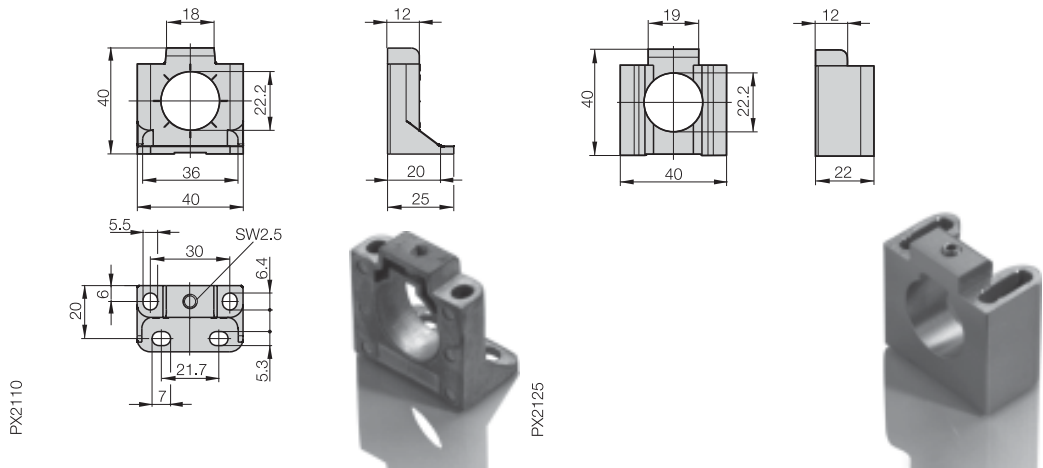


Description	<b>Mounting bracket for Unicomact</b>
Ordering code	BES Q40-HW-1



PX1678

Description	<b>Mounting socket for Unicomact</b>	<b>Mounting socket for Unicomact</b>
Ordering code	BES Q40-HW-2	BES Q40-HW-3



PX2110

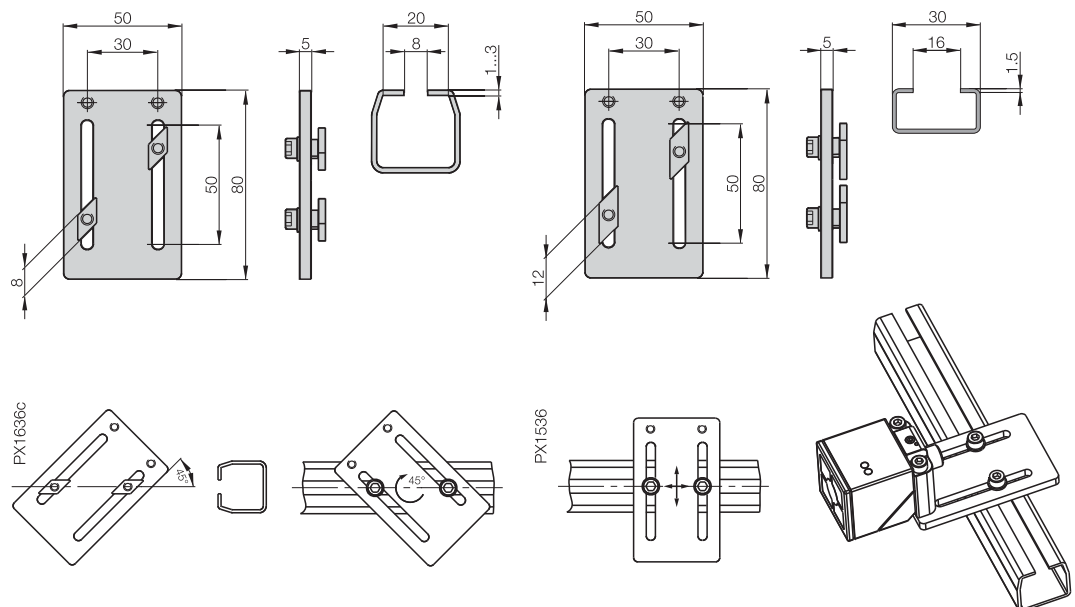
PX2125

Description	<b>Holding system for Unicomact</b>	<b>Holding system for Unicomact</b>
Ordering code	BES HS-01-P1-C8/Q40	BES HS-01-P1-C16/Q40

This holding system is used to attach Unicomact sensors to extruded rails. Material: Al/CuZn.

The mounting set consists of:

- 1 mounting plate
- 2 tenon blocks
- 2 M5×10 cheese head screws DIN 912 galvanized
- 2 washers Ø 5.3 DIN 533
- 2 M5×40 cheese head screws ISO 4762



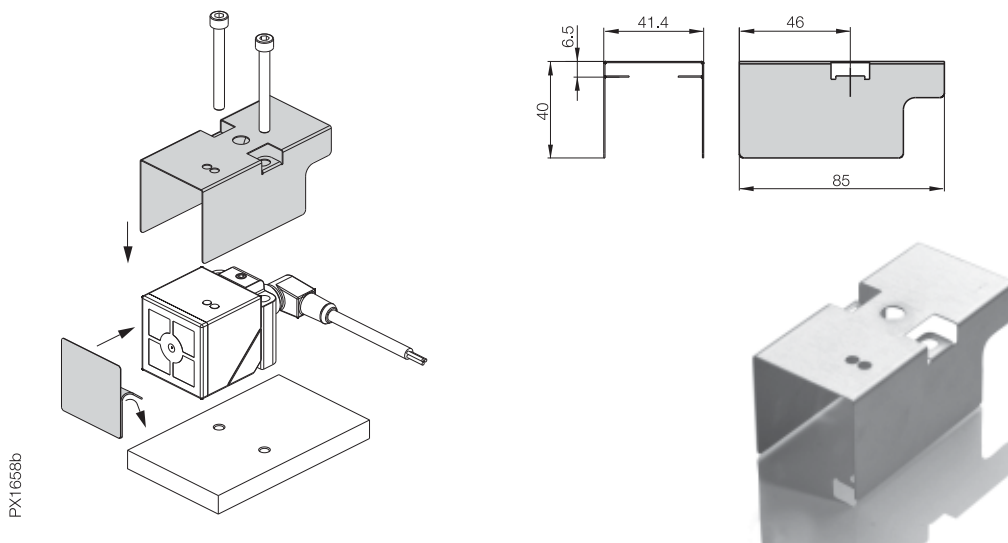
PX1636c

PX1536

Description	<b>Weld protection for Unicomact</b>
Ordering code	BES Q40-SH-1

**Weld protection for magnetic field immune Unicomact sensors BES Q40KFU-...**

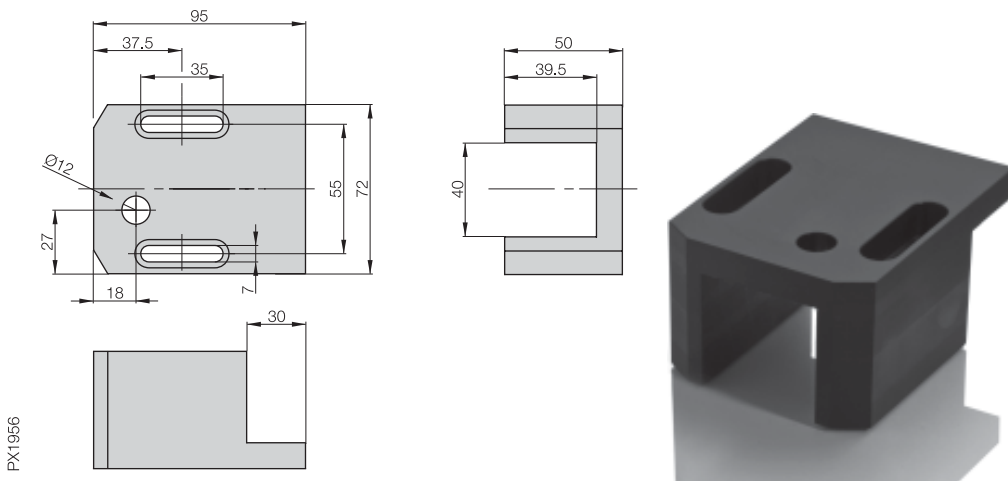
Consists of a protective cover and a self-adhering PTFE film for protecting the active surface. When replacing the sensor head it is not necessary to remove the weld protection.



PX1658b

Description	<b>Protective cover for Unicomact</b>
Ordering code	BES Q40-SH-2

Material PA 6 black



PX1956

Description	<b>Mounting plate for Unisensor</b>
Ordering code	Mounting Plate B 4 - 2057

Unisensors can be adjusted up to 30 mm on this mounting plate while wired. Loosening the sensor mounting screws (M5×25; included in set) allows the Unisensor to be easily repositioned to the desired location. Then simply tighten the screws! The mounting plate is made of corrosion-resistant aluminum.

