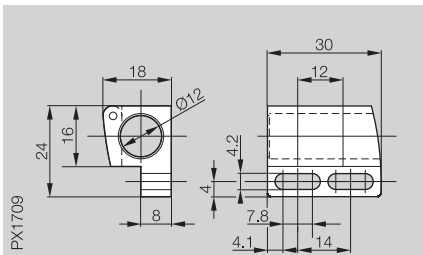
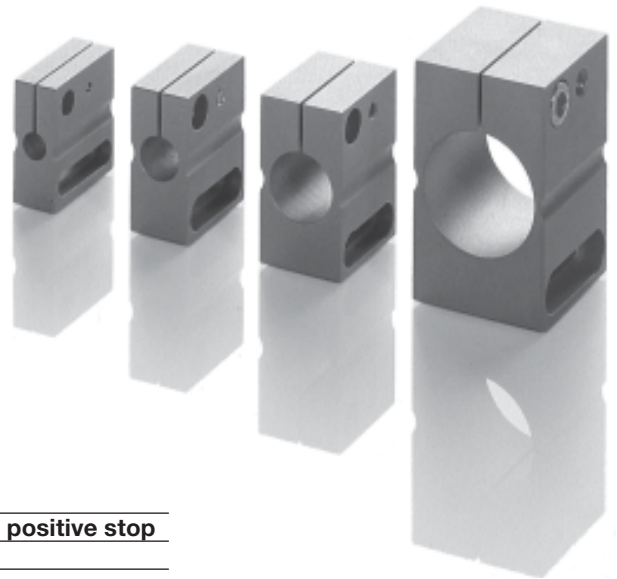


Mounting clamp with positive stop (material: Al)

	A	B	C	D	E	F	G	ØH	ØI	ØK	L	M
BES 08,0-KB-4-F	28	30	12	20	4	5	6	8	3.4	6	3.4	15
BES 12,0-KB-4-F	28	35	16	17	5.5	6	8	12	4.3	8	4	19
BES 18,0-KB-4-F	28	40	22	17	5.5	6	11	18	4.3	8	4	20
BES 30,0-KB-4-F	34	56	34	22	6	7	17	30	6.4	10	6	28

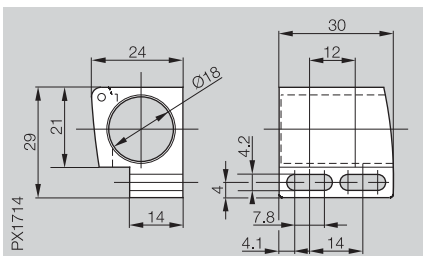
Note for aluminum mounting clamps with positive stop

The switching distance of the proximity switch may be reduced by use of these clamps. Note this when using this clamping system.



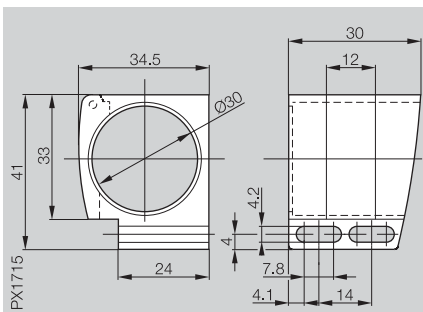
Mounting clamp with positive stop (material: PC plastic)

BES 12,0-KB-5-F



Mounting clamp with positive stop (material: PC plastic)

BES 18,0-KB-5-F



Mounting clamp with positive stop (material: PC plastic)

BES 30,0-KB-5-F

