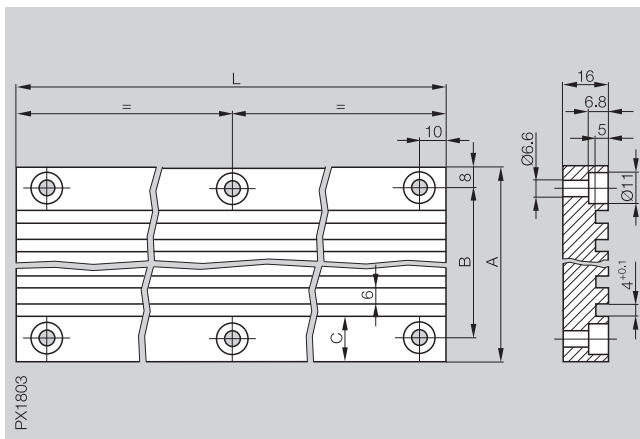
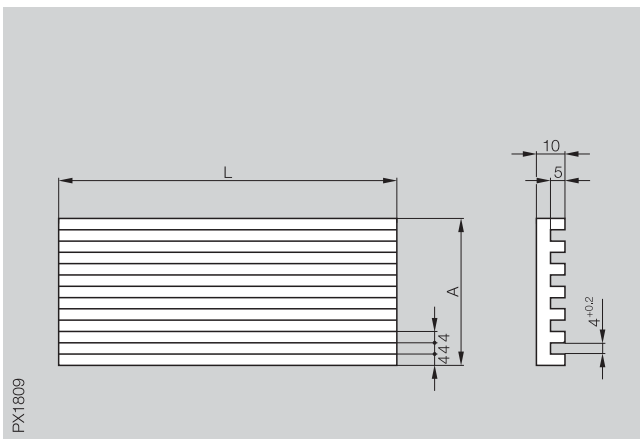


Cam Trays and Cams

Cam trays

Type	Aluminum cam trays with 8 mm slot spacing for switches with switch position spacing 8 mm for cams BNN 520-81-S-___ or BEN 516-19-___	Steel cam trays with 10 mm slot spacing for switches with switch position spacing 10 mm for cams BNN 520-81-S-___ or BEN 516-19-___
------	--	---



Order code	BNL 5304-080-___ without holes	BNL 5308-100-___ with holes	BNL 5306-100-___ without holes
------------	--------------------------------	-----------------------------	--------------------------------

Number of slots	Dimension A	Number of slots	Dimension A	Dimension B	Dimension C
02	20	02	46	30	16
03	28	03	56	40	16
04	36	04	68	52	17
06	52	05	76	60	16
08	68	06	87	71	16,5
10	84	08	108	92	17
		10	126	110	16
		12	148	132	17
		14	167	151	16,5
		16	188	172	17

Dimensions in mm L = Standard cam tray lengths: 1000, 1200, 1400, 1600, 1800, 2000 or 2500 mm.

L = Standard cam tray lengths: 200, 400, 600, 800, , 1000 or 1200 mm.

Cam trays

Cam trays are used for holding cams. We offer these in standard lengths with or without standard holes.

Installation note

Cam trays should be mounted on flat surfaces or machined members.

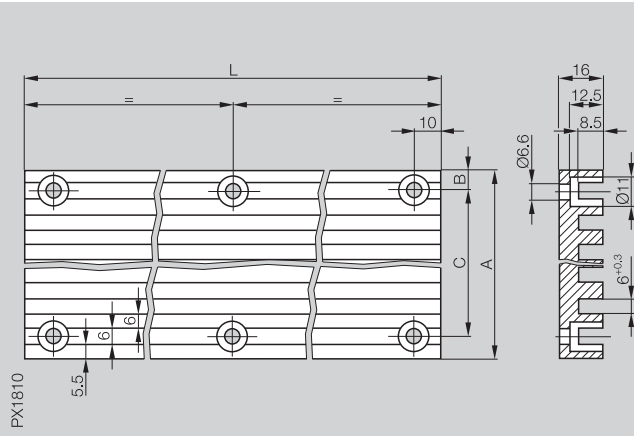
Ordering example:
BNL 5304-120-04-1000

BNL 53 - - - - -

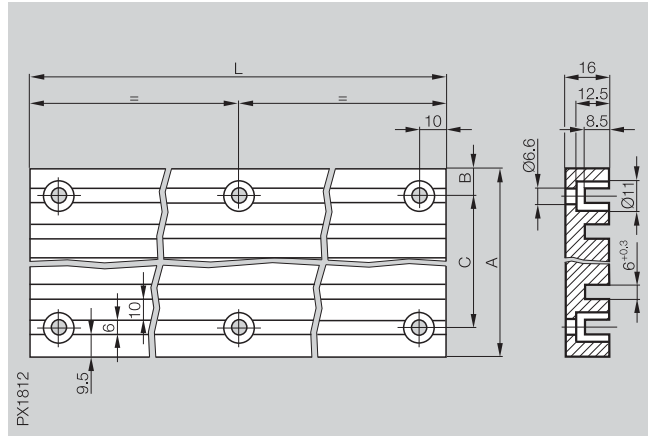
Version	Slot spacing	Number of slots	Total length L
04 Aluminum, no holes	80 8 mm	02 2 slots	(see standard lengths)
07 Aluminum, with holes	100 10 mm	...	
06 Steel, no holes	120 12 mm	(see table)	
08 Steel, with holes	160 16 mm		
10 Aluminum, no holes, T-slot			



Aluminum cam trays with **12 mm** slot spacing
for switches with switch position spacing **12 mm**
for cams BNN 520-UA/UB-____ or BEN 516-14-____
Form A per DIN 69638



Aluminum cam trays with **16 mm** slot spacing
for switches with switch position spacing **16 mm**
for cams BNN 520-UA/UB-____ or BEN 516-14-____
Form A per DIN 69638



BNL 5307-120-____ with holes
BNL 5304-120-____ no holes

BNL 5307-160-____ with holes
BNL 5304-160-____ no holes

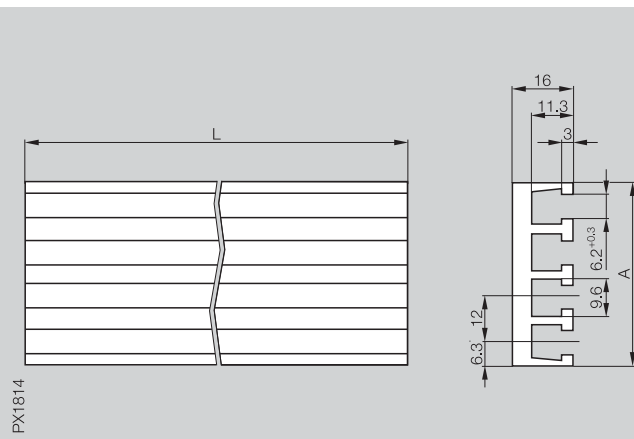
Number of slots	Dimension A	Dimension B	Dimension C
02	29	14.5	
04	53	26.5	
06	77	8.5	60
08	101	8.5	84
10	125	8.5	108

Number of slots	Dimension A	Dimension B	Dimension C
02	41	20.5	
04	73	36.5	
06	105	12.5	80
08	137	12.5	112

L = Standard cam tray lengths:
1000, 1200, 1400, 1600, 1800, 2000 or 2500 mm.

L = Standard cam tray lengths:
1000, 1200, 1400, 1600, 1800, 2000 or 2500 mm.

Type Aluminum cam trays with **12 mm** slot spacing
for switches with switch position spacing **12 mm**
for cams BNN 520-TA/TB-____ and BEN 516-13-____
Form B per DIN 69638



Order code BNL 5310-120-____ no holes

Number of slots	Dimension A
04	48.6
06	72.6

Dimensions in mm L = Standard cam tray lengths:
200, 400, 600, 800, 1000, 1200, 1400, 1600, 1800, 2000 or 2500 mm.

