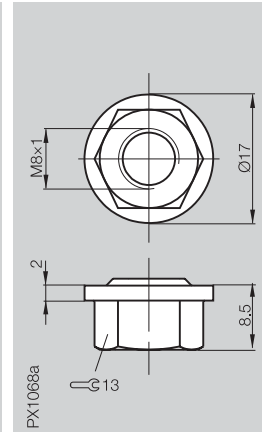
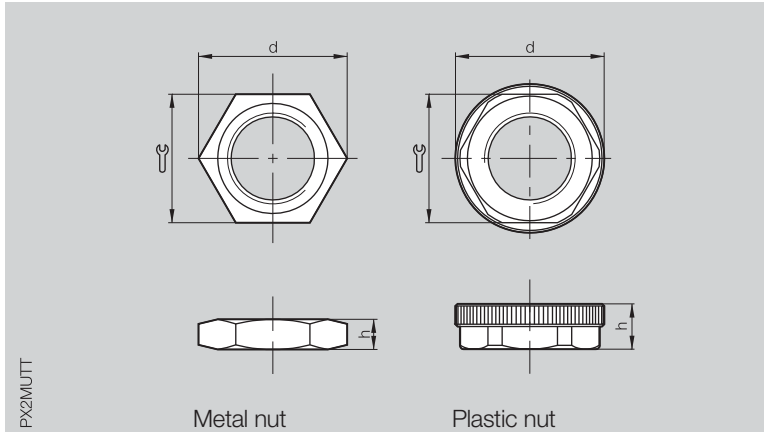
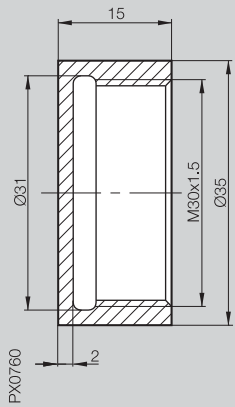


Cover nut

Nuts

Seal nut



BES 30-SM-2

Ordering code = Part No.

BES 08-DM-1

This cover nut is threaded on to a M30x1.5 housing. It is made of POM and can be used for high mechanical stress applications.

| Metal nuts           | Part no. | Material         | d    | Wrench | h   |
|----------------------|----------|------------------|------|--------|-----|
| M8x1                 | 500557   | Steel galvanized | 15   | 13     | 4   |
| M12x1                | 500462   | Ms nickel plated | 20   | 17     | 4   |
| M18x1                | 500152   | Ms nickel plated | 28   | 24     | 4   |
| M30x1.5              | 500252   | Ms nickel plated | 42   | 36     | 5   |
| Stainless steel nuts |          |                  |      |        |     |
| M5x0.5               | 605313   | 1.4305           | 8.9  | 7      | 2.7 |
| M12x1                | 636981   | 1.4305           | 20   | 17     | 4   |
| M18x1                | 636982   | 1.4301           | 28   | 24     | 4   |
| M30x1.5              | 636983   | 1.4401           | 42   | 36     | 5   |
| Plastic nuts         |          |                  |      |        |     |
| M12x1                | 507936   | PA 6.6           | 19.7 | 17     | 6   |
| M18x1                | 606841   | PA 6.6           | 28   | 24     | 8   |
| M30x1.5              | 610292   | PA 6.6           | 40   | 36     | 8   |

This is used to seal pressure rated proximity switches. It seals against both liquids and gases. For pressure rated M8 sensors up to max. **100 bar**.

Please note!  
The nominal switching distance of proximity switches is reduced by 2 mm when the cover nut is installed.

Please note!  
Can be removed and tightened again up to five times.

Lockwasher for M5 sensors: Part No. 710256  
 Lockwasher for M8 sensors: Part No. 500558  
 Lockwasher for M12 sensors: Part No. 500552  
 Lockwasher for M18 sensors: Part No. 117684

