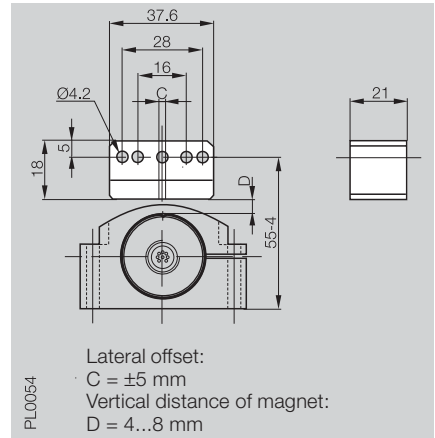
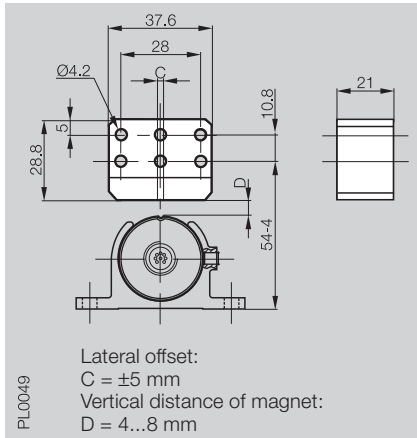


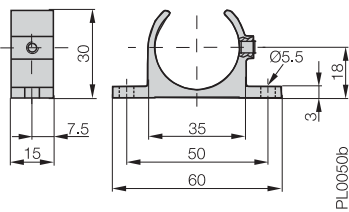
Description	Magnet	Magnet
for Series	BTL6 Profile A1	BTL6 Profile A1



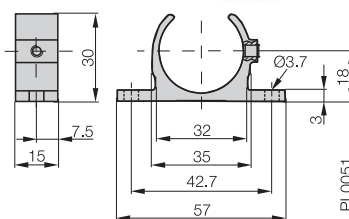
Ordering code	BTL6-A-3800-2	BTL6-A-3801-2
Housing material	Plastic	Plastic
Weight	approx 30 g	approx 25 g
Magnet traverse speed	any	any
Operating temperature/Storage temperature	-40...+85 °C	-40...+85 °C
Included	Magnet	Magnet



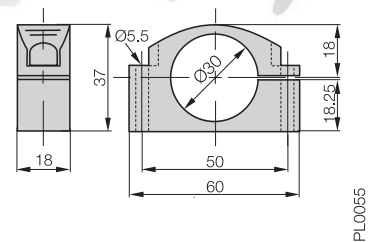
Mounting clamps/cuff



Mounting clamp
Ordering code: BTL6-A-MF01-A-50
Includes: 1 clamp



Mounting clamp
Ordering code: BTL6-A-MF01-A-43
Includes: 1 clamp



Mounting cuff
Ordering code: BTL6-A-MF03-K-50
Includes: 1 cuff

When extreme shock and vibration are present, we recommend spacing mounting clamps every 250 mm.

Length (stroke length)	No. of mounting clamps/cuffs
up to 250 mm	2
251 to 500 mm	3
501 to 750 mm	4
751 to 1000 mm	5
1001 to 1250 mm	6
1251 to 1500 mm	7

