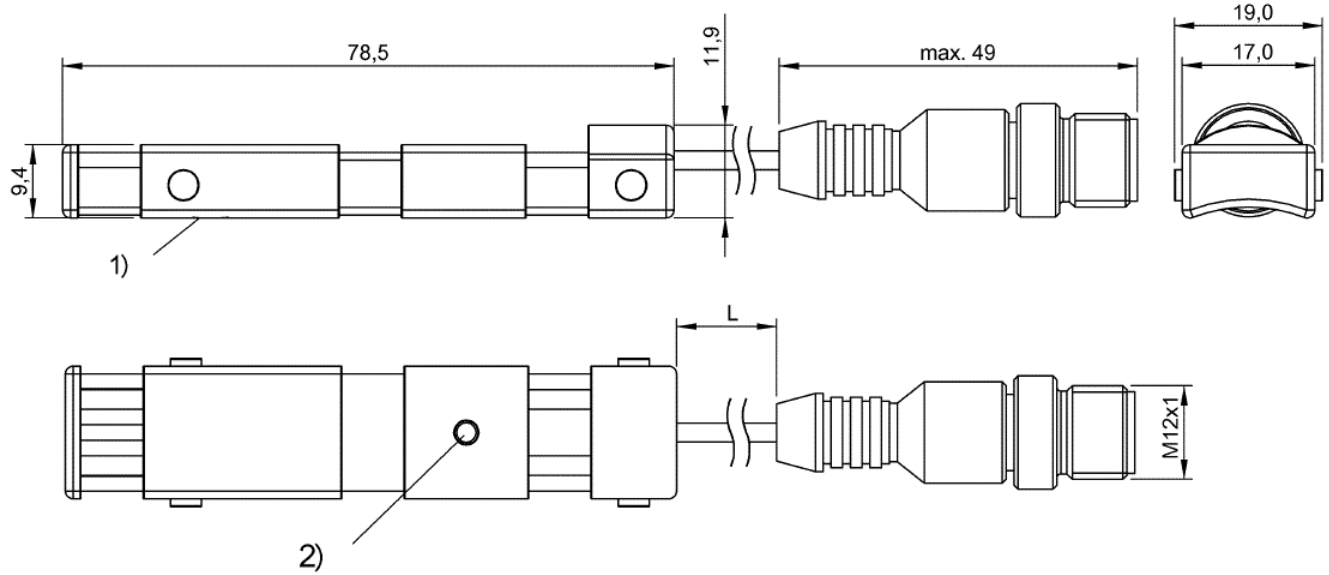


BES Z06K-PSC16F-BP00,1-GS04
 BES0429

PNP
 NO

BALLUFF
sensors worldwide



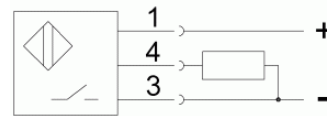
Electrical data:

Connection	Cable with connector M12
Rated operational voltage (Ue)	24 DC V
Load current capacity (Ie)	200 mA
Time delay before availability	20 ms
Electrical type	DC
Utilization category	DC 13
Hysteresis max (H)	15 %
No-load supply current damped	10 mA
No-load supply current undamped	10 mA
Off-state current max (I _r)	10 μA
Ripple max. of Ue	10 %
Switching output	PNP
Switching element function	NO
Operating frequency (f)	10 Hz
Voltage drop max. static	2,5 V
Supply voltage max. (U _b)	30 V
Supply voltage min. (U _b)	10 V

General data:

Degree of protection IP	IP67
Protected against polarity reversal	yes
Approval	CE
Output indication	yes
Short circuit protected	yes

Wiring:



Pinout:
Pinout



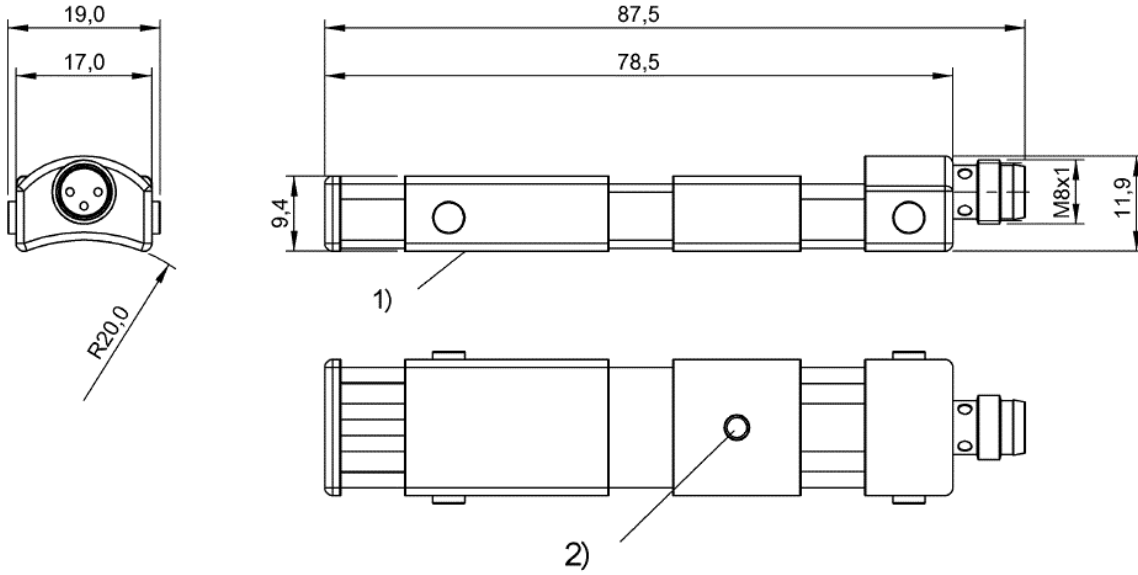
Mechanical data:

Number of Wires	3-wire
Rated operating distance (sn)	16 mm
Cable code designation	PUR
Repeat accuracy max. (R)	10 %
Ambient temperature max	+70 °C
Ambient temperature min	-25 °C
Degree of pollution	3
Housing material	PA 6.6

www.balluff.com

Balluff Europe: +49 7158 173 -0
 Balluff USA: 1-800-54 3-83 90
 Balluff Asia: +86 21-50 64 41 31

Online Productinformation
 2010-10-19



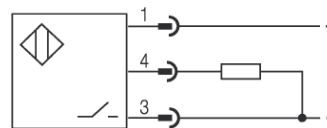
Electrical data:

Load capacitance max	0,100 µF
No-load supply current damped	10 mA
Switching element function	NO
Operating frequency (f)	10 Hz
Rated operational voltage (Ue)	24 DC V
Electrical type	DC
Off-state current max (I _r)	10 µA
Ripple max. of U _e	10 %
Supply voltage max. (U _b)	30 V
Supply voltage min. (U _b)	10 V
Load current capacity (I _e)	200 mA
Utilization category	DC 13
No-load supply current undamped	10 mA
Voltage drop max. static	2,5 V
Connection	Connector S49 (M8)
Time delay before availability	20 ms
Hysteresis max (H)	15 %
Switching output	PNP

General data:

Output indication	yes
Degree of protection IP	IP67
Approval	CE
Short circuit protected	yes
Protected against polarity reversal	yes

Wiring:



Pinout:
Pinout



Mechanical data:

Number of Wires	3-wire
Rated operating distance (sn)	16 mm
Housing material	PA 6.6
Repeat accuracy max. (R)	10 %
Ambient temperature max	+70 °C
Ambient temperature min	-25 °C