

Light grids are available in various measuring field heights of 100, 150 and 300 mm and include both long and short ranges. This means reliable detection of wide and very large objects is no longer a problem. The light grids with a measuring field height of 100 and 150 mm can be ordered with low or high resolution.

The light grid can be simply and quickly installed using the supplied mounting bracket. Alignment and installation is user-friendly and problem-free.

The system features an analog voltage output for direct representation of the height or width of an object. An additional switching output indicates whether the object is within the monitored range.


Features

- Easy to connect
- Easy to install
- Ready to use
- No cumbersome parameter setting
- Ranges
150 mm...2.1 m
- Measuring field heights
100, 150, 300 mm
- Analog output

Applications

- Counting parts
- Height measurement and height checking
- Presence detection
- Slack and position checking
- Pallet checking
- Web monitoring
- Position and material monitoring



Type	Measuring field height	Range	Resolution	Light type	Output	Output function	U _B	Connection	Page
		0.15...2.1 m	5 mm 7 mm	Infrared	PNP-Transistor Analog 0...10 V	Dark-on	24 V DC	M12 connector	
 Light grid									
BLG 1-010-210-050-PV01-SX	100 mm	■	■	■	■	■	■	■	2.2.107
BLG 1-010-210-070-PV01-SX	100 mm	■	■	■	■	■	■	■	2.2.107
BLG 1-015-210-050-PV01-SX	150 mm	■	■	■	■	■	■	■	2.2.107
BLG 1-015-210-070-PV01-SX	150 mm	■	■	■	■	■	■	■	2.2.107
BLG 1-030-210-070-PV01-SX	300 mm	■	■	■	■	■	■	■	2.2.107

2.2

2.3

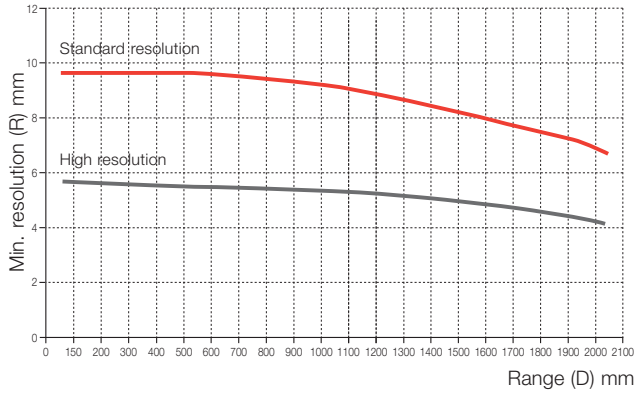
Photoelectric sensors accessories page 2.3.2 ...

5

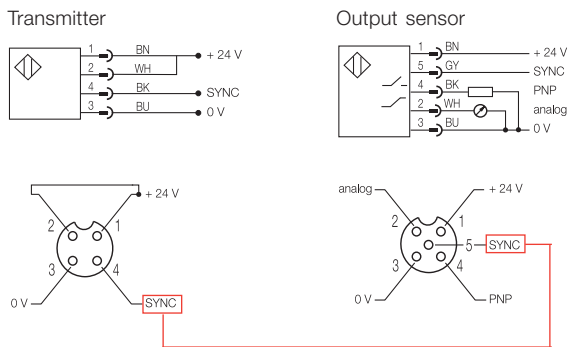
Connectors ... page 5.2 ...

Resolution Diagram

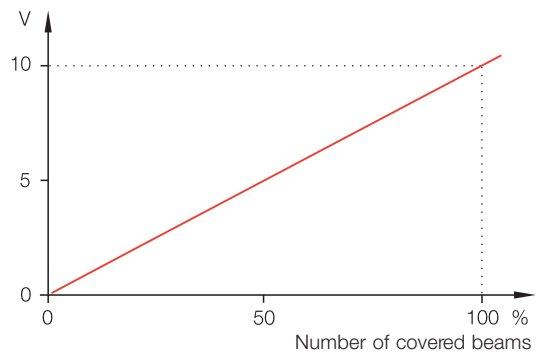
Range 0.15...2.1 m



Wiring diagrams



Analog output



Mounting bracket (included)



Recommended accessories please order separately

Emitter:
4-pin connector
Straight BKS-_ 19
Right-angle BKS-_ 20



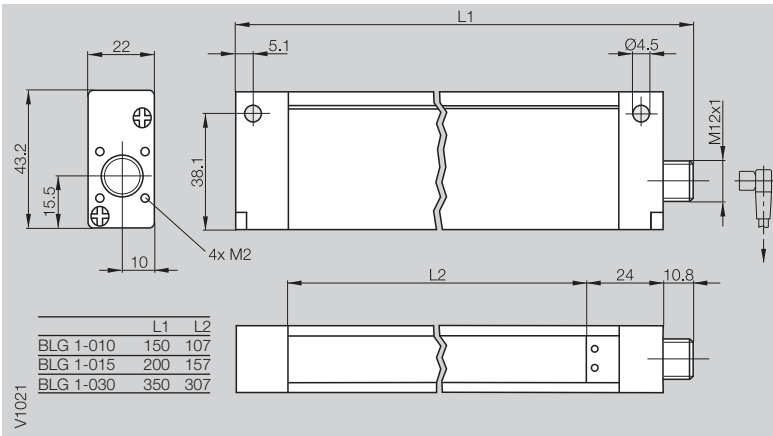
Receiver:
5-pin connector
Straight BKS-S137-17-PU-05
Right-angle BKS-S134-17



Light Grid Photoelectric Sensors

BLG
Light Grids

Series	BLG	BLG	BLG
Measuring field height	100 mm	150 mm	300 mm



Light grid 0.15...2.1 m range

PNP	Resolution 7 mm	BLG 1-010-210-070-PV01-SX	BLG 1-015-210-070-PV01-SX	BLG 1-030-210-070-PV01-SX
	Resolution 5 mm	BLG 1-010-210-050-PV01-SX	BLG 1-015-210-050-PV01-SX	
Electrical data				
Supply voltage U_B		24 V DC	24 V DC	24 V DC
Ripple		15 %	15 %	15 %
No-load supply current I_0 max.	Emitter	≤ 150 mA	≤ 150 mA	≤ 150 mA
	Receiver	≤ 50 mA no-load	≤ 50 mA no-load	≤ 50 mA no-load
Switching output		PNP-Transistor	PNP-Transistor	PNP-Transistor
Output current		100 mA	100 mA	100 mA
Switching type		Dark-on	Dark-on	Dark-on
Voltage drop U_d at I_0		≤ 1.5 V/10 mA	≤ 1.5 V/10 mA	≤ 1.5 V/10 mA
Analog output		0...10 V	0...10 V	0...10 V
Settings		fixed	fixed	fixed
Optical data				
Emitter, light type		LED, infrared	LED, infrared	LED, infrared
Wavelength		880 nm	880 nm	880 nm
Indicators				
Power-on indicator emitter/receiver		LED green	LED green	LED green
Output function indicator receiver		LED orange	LED orange	LED orange
Mechanical data				
Dimensions		see drawing	see drawing	see drawing
Connection type	Emitter	M12 connector, 4-pin	M12 connector, 4-pin	M12 connector, 4-pin
	Receiver	M12 connector, 5-pin	M12 connector, 5-pin	M12 connector, 5-pin
Housing material		Al black anodized	Al black anodized	Al black anodized
Optical surface		PMMA	PMMA	PMMA
Weight		300 g	340 g	510 g
Ambient data				
Degree of protection per IEC 60529		IP 65	IP 65	IP 65
Short circuit protected		yes	yes	yes
Ambient temperature range T_a		0...+55 °C	0...+55 °C	0...+55 °C

→ Connector orientation

2.2

2.3

Photoelectric sensors accessories page 2.3.2 ...

5

Connectors ... page 5.2 ...